

Product Introduction & Benefits:

The Mini Converter series is Epic's solution to expanding existing Fast Ethernet 100Base-TX/FX networks. The converter is completely transparent and when connected to the network it allows the co-existence of both copper and fiber mediums. Added flexibility is available with ST, SC, and Simplex SC connectors. Increased transmit distances are achieved with the single mode configurations delivering up to 80km of connectivity per segments.

The Teleport media converter allows the installation of fiber cabling anywhere within a Fast Ethernet network by directly connecting to existing devices. Its compact modular design facilitates deployment in a narrow desktop location to save space.



Main Features:

- ☑ Complies with IEEE802.3 (10BASE-T), IEEE802.3u (100BASE-TX/FX)
- ☑ Extends distances ranging from 2km (multi-mode fiber) to 80k m (single mode fiber)
- ☑ NWay Auto-negotiation support on RJ-45 port
- ☑ Auto-Negotiation of duplex(HDX/FDX) on RJ-45 port
- ☑ Auto MDI/MDI-X support on RJ-45 port
- ☑ Status LED's for TX,FX LINK/ACT, POWER,100M to easily monitor network status
- ☑ External power supply
- ☑ FCC Class A & CE approved



Specifications:

Standards:	IEEE 802.3 (10BASE-T)	
	IEEE 802.3u (100BASE-TX/FX)	
Connector:	1 x UTP	
	1 x Fiber optic (ST/SC WDM; multi-mode/single mode)	
Max. Distance :	UTP: 100 meters (Category 3/4/5/6)	
	Fiber: Multi-mode up to 2Km, Single Mode up to 80Km,	
Unit LED :		
	100: Green	Illuminated when data packets are being transmitted at 100Mbps
	TX LNK/ACT: Green	Illuminated indicates receiving link pulses from compliant copper device and flashes when data being sent / received
	FX LNK/ACT: Green	Illuminated indicates receiving link pulses from compliant fiber device and flashes when data being sent / received
	PWR: Green	Illuminated to indicate unit is operating under normal power
Power :	Power Input: 5V DC @ 800mA, External power adapter	
Temperature:	Operating: 0° C to 50°	
	Storage: -20° C to 80° C	
Humidity :	Operating: 10% to 80% Non-condensing	
	Storage: 5% to 90% Non-condensing	
Emissions:	FCC Part 15 of Class A & CE approved	
Dimensions:	86.2 x 59.4 x 23.4mm (L x W x H)	
Weight :	180g	

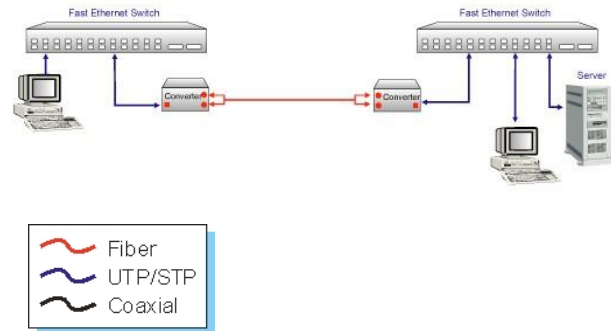


Teleport T-SC Mini series

10/100Base-TX to 100Base-FX Mini Converter Series

Applications:

The following illustrates typical The actual distances will depend on several factors including the quality of cables used and the terminal equipment employed.



Epic Broadband Solutions
751 Maleta Lane STE 204, Castle Rock, CO 80108
800-828-3742 • 720-904-5200
epicsales@epicbbs.com
www.epicbbs.com